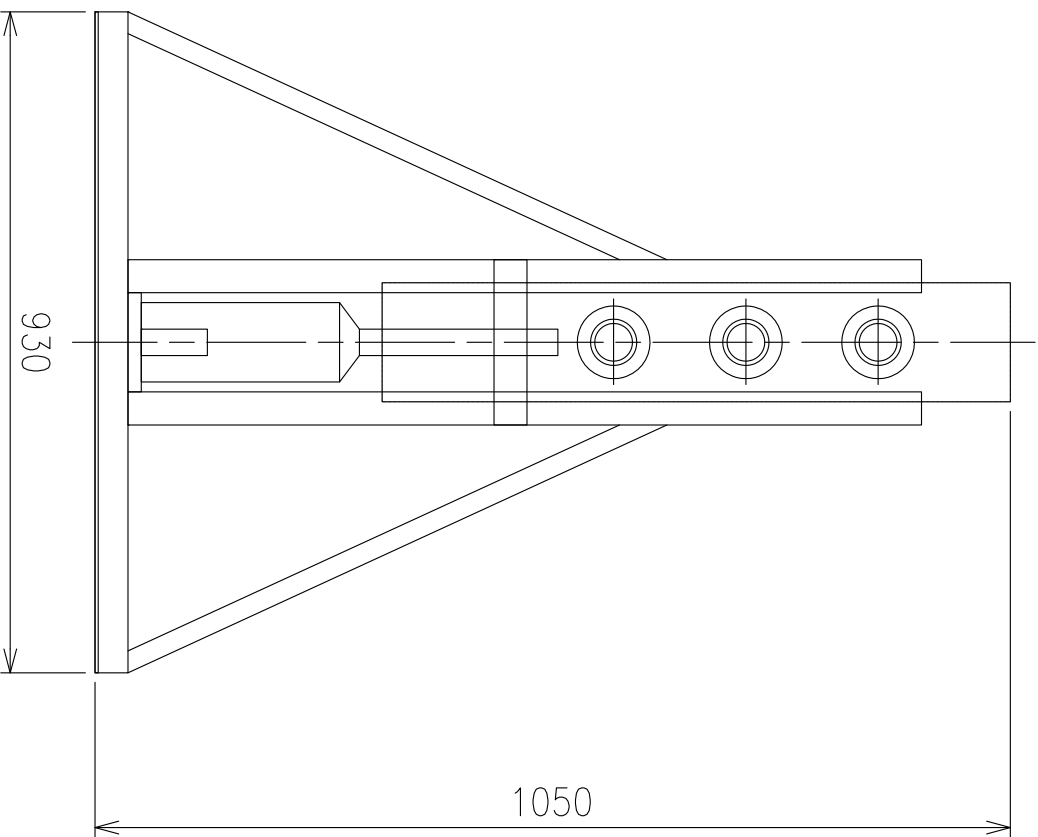
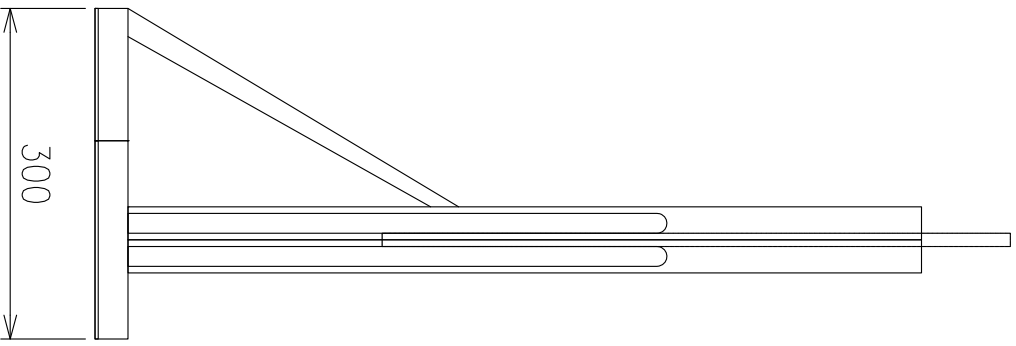
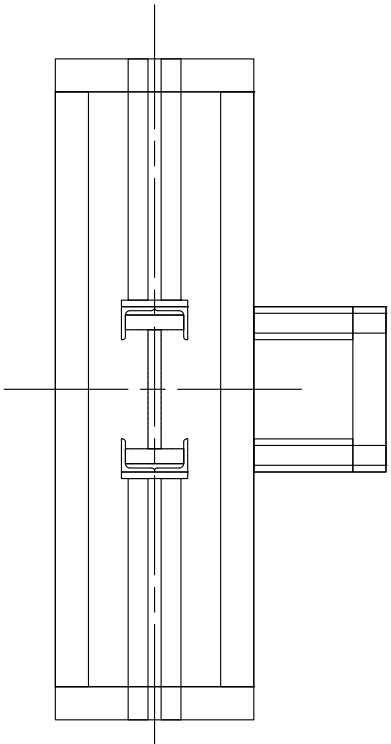


SPECIFICATION	
BARREL	φ700~φ2000
WIDTH	1300mm
LIFT	245mm
LOAD	0~5000 kg
CONTROL	MANUALLY



REVISION

HWM-ST

HWM-ST

HAYAMA SANGYO CO., LTD.

OSAKA CITY JAPAN

NO. MATERIAL

NAME

DRN. BY

CHD. BY

DATE

SCALE

1/15

SPEC.

DWG. NO.

HWM-ST-000A

QUAN.

MAKER